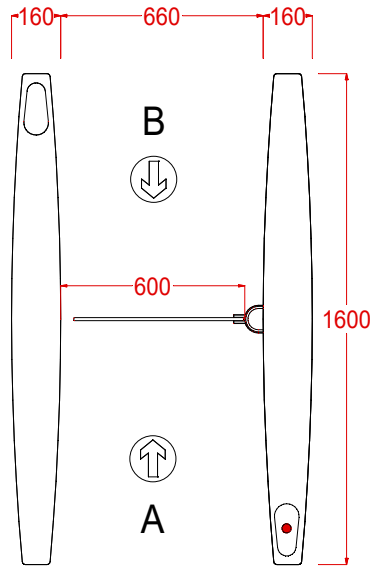
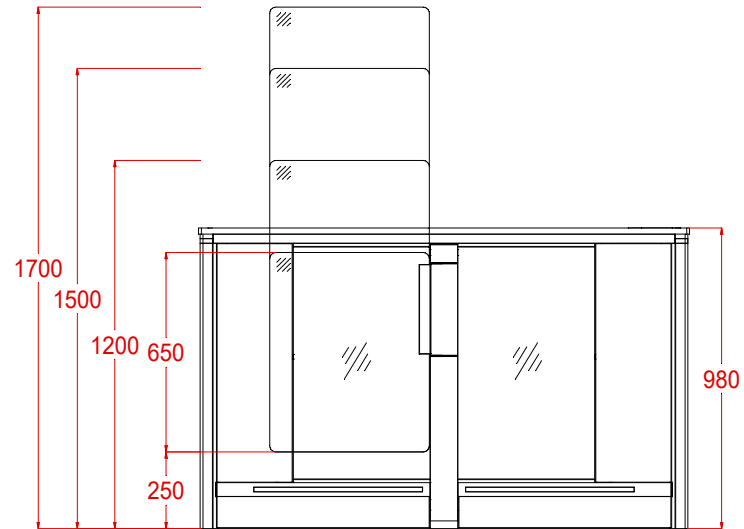
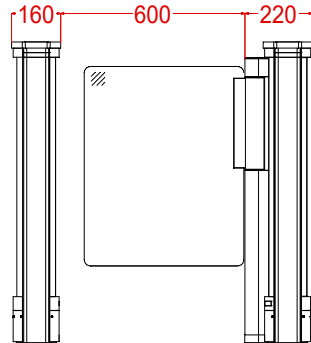




PG302 Dimensions



OBSTICAL	
Standard obstical = 900mm high plexiglass	
OPTIONS	
Plexiglas heights	8mm toughened glass heights
1200mm	1200mm
1500mm *	1500mm *
	1700mm *
* Not suitable with surface mount plinth	

-  Standard Card Reader Location
-  Gate Controller Location (TD)

- WORK BY OTHERS**
- Bolting the units to the floor.
 - Electrical supply.
 - Cabling between lanes, link cable supplied by ESP
 - Cabling to any external peripherals.
 - Integration of any accessories.

DATE	21/01/17
DRAWN	A Brown
CHECKED	
APPROVED	
SCALE	

PART NAME	PG302 Dimensions
-----------	------------------

SHEET	3 OF 50
DWG SIZE	B
DRAWING No.	PG302-000-001

REV	0
-----	---

EVOLVE
SECURITY PRODUCTS